

POWER YOUR FUTURE

Cummins Generator

LG545C

KTAA19-G6A

Prime Power: 545KW/681KVA

Standby Power: 600KW/749KVA



Cummins Series 60HZ

25KVA--1400KVA

GENERATING POWER SOLUTIONS

Increased availability for new operations

Reliable, robust and versatile generator.
Ready to deliver power for a next job.

Increased uptime during operations

Once installed on the end-user-site, the generator will be ready to run: "peace of mind" operation.

Reduced transport and installation costs

The compact and robust design with integrated transport features enables faster and safer transport and installation.

Reduced service & maintenance costs

Longer service intervals.
Quicker and more efficient service jobs.

Premium resale value

Designed and built to last.

SAFETY

- Operate safely in accordance with proper operation manual.
- To prevent trouble and accidents, perform daily and preventive maintenance checks without fail.

Technical Data

LG545C

Model		LG545C
Rated prime power	kva	681
Rated standard power	kva	749
Rated voltage line to line	V	220/127
Rated current	A	1787
Maximun sound level	dB(@7m)	≤100

Engine-DCEC Cummins

Model	KTAA19-G6A	
Aspiration	Turbo, Air/Air cooling	
Fuel system	PT type	
No. cylinders	6 in line	
Displacement	Liquid	18.9
Bore*Stroke	mm	159*159
Compression ratio	13	
Rated speed	r/min	1800
Max power(with fan)	Kw	664 Standby
Governor type	EFC Electrical	
Start Motor	V	24

Exhaust System

Exhaust gas flow	L/s	2478
Exhaust gas temp	°C	446
Max back pressure	kPa	10

Aspiration System

Max inlet pressure	kPa	6.23
Combustion volume	L/s	850
Air flow	L/s	10800

Fuel System

100% load(Prime power)	L/h	140.2
75% load(Prime power)	L/h	135
50% load(Prime power)	L/h	130
Fuel tank capacity	L	700

Lubrication System

Oil capacity	L	50
Oil consumption	g/kwh	≤4
Oil pressure	kPa	345-483
(continuous operation)		

Cooling System

Coolant capacity	L	116.5
Thermostat operation range	°C	82-94
Max water temperature	°C	104

Alternator

Model	LK544E
	STAMFORD HCI544E
Phase	3
Voltage	V 220/127
Wiring Type	3 Phase 4 wire, Y type
Bearing	1
Power factor	0.8
Frequency	Hz 60
Prime power	KVA 713/769
Exciter Type	Brushless, self-excitation
Voltage regulation	% ±0.5
Protection Grade	IP 23
Insulation grade	H/H
Altitude	m ≤1000

Controller-DEESEA

Model	DSE6120
-------	---------

Protective functions:

- Low oil pressure
- High water temperature
- High/low voltage
- High Engine Temperature and Overspeed.
- Voltage regulator frequency regulator
- Emergency stop
- Start failure



Control Module Options



- Auto generator control module
- Control module with "Three Remote Control" functions
- ATS auto load transfer screen
- Synchronising control modules
- Power output cabinet

Standard Features

- Engine(CCEC Cummins)
- Radiator 50°C max,fans are driven by bel
- 24V charge alternator
- Alternator: single bearing alternator IP23, insulation class H/H
- Standard auto control system
- One set of air filter, fuel filter, oil filter
- Main line circuit breaker/MCCB
- Base fuel tank
- Two 24V batteries, rac and cable
- Exhaust system(Ripple flex exhaust pipe, exhaust siphon, flange, muffler)
- User manual

Options

- Battery charge
 - Engine heater
 - Alternator heater
 - PMG
 - Water oil separator
 - Daily fuel tank
 - Remote control panel
 - Automatic transfer switch/ATS
 - Switch box
- Standard: ● Options:○

Warranty*

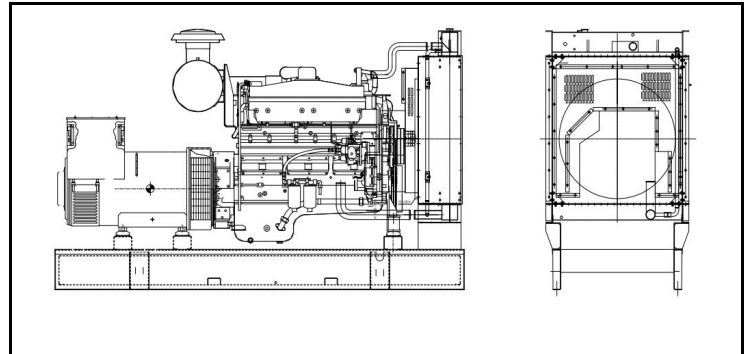
Cummins Engine

12 months from date of purchase and 1000 hours.

Generator

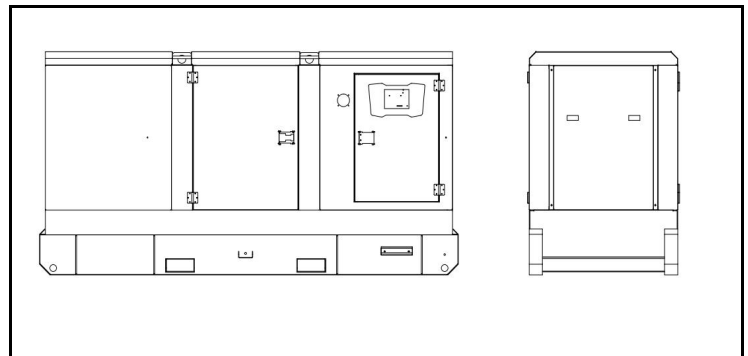
12 months from date of purchase or 1000 hours (whichever occurs first).

Unit Dimensions(Basic unit)



Open Type

L*W*H	mm	3600*1600*2250
Weight	kg	4200



Silent Type

L*W*H	mm	4680*1850*2550
Weight	kg	5300