

# POWER YOUR FUTURE

## Cummins Generator

### LG740C

# KTA38-G2

Prime Power: 740KW/925KVA

Standby Power: 814KW/1018KVA



## GENERATING POWER SOLUTIONS

### Increased availability for new operations

Reliable, robust and versatile generator.  
Ready to deliver power for a next job.

### Increased uptime during operations

Once installed on the end-user-site, the generator will be ready to run: "peace of mind" operation.

### Reduced transport and installation costs

The compact and robust design with integrated transport features enables faster and safer transport and installation.

### Reduced service & maintenance costs

Longer service intervals.  
Quicker and more efficient service jobs.

### Premium resale value

Designed and built to last.

### SAFETY

- Operate safely in accordance with proper operation manual.
- To prevent trouble and accidents, perform daily and preventive maintenance checks without fail.

## Cummins Series 60HZ

25KVA--1400KVA

## Technical Data

LG740C

Model		LG740C
Rated prime power	kva	925
Rated standard power	kva	1018
Rated voltage line to line	V	220/127
Rated current	A	2427
Maximun sound level	dB(@7m)	≤102

### Engine-DCEC Cummins

Model		KTA38-G2
Aspiration	Turbo, Air/Water cooling	
Fuel system	PT type	
No. cylinders	V 12	
Displacement	Liquid	37.8
Bore*Stroke	mm	159*159
Compression ratio		14.5
Rated speed	r/min	1800
Rated net power(with fan)	Kw	809
Governor type	EFC Electrical	
Start Motor	V	24

### Exhaust System

Exhaust gas flow	L/s	2634
Exhaust gas temp	°C	552
Max back pressure	kPa	10

### Aspiration System

Max inlet pressure	kPa	6.23
Combustion volume	L/s	920
Air flow	L/s	30425

### Fuel System

100% load(Prime power)	L/h	150
75% load(Prime power)	L/h	112.5
50% load(Prime power)	L/h	76
Fuel tank capacity	L	1000L
		(External Fuel Tank)

### Lubrication System

Oil capacity	L	135
Oil consumption	g/kwh	≤4
Oil pressure	kPa	310-448
		(continuous operation)

### Cooling System

Coolant capacity	L	252
Thermostat operation range	°C	82-93
Max water temperature	°C	104

### Alternator

Model		LK634C
	STAMFORD	LVI634C
Phase		3
Voltage	V	220/127
Wiring Type		3 Phase 4 wire, Y type
Bearing		1
Power factor		0.8
Frequency	Hz	60
Prime power	KVA	966
Exciter Type		Brushless, self-excitation
Voltage regulation	%	±0.5
Protection Grade		IP 23
Insulation grade		H/H
Altitude	m	≤1000

### Controller-DEEPSEA

Model		DSE6120
-------	--	---------

Protective functions:

- Low oil pressure
- High water temperature
- High/low voltage
- High Engine Temperature and Overspeed.
- Voltage regulator frequency regulator
- Emergency stop
- Start failure



### Control Module Options



- Auto generator control module
- Control module with " Three Remote Control" functions
- ATS auto load transfer screen
- Synchronising control modules
- Power output cabinet

## Standard Features

- Engine(CCEC Cummins)
- Radiator 50°C max,fans are driven by bel
- 24V charge alternator
- Alternator: single bearing alternator IP23, insulation class H/H
- Standard auto control system
- One set of air filter, fuel filter, oil filter
- Main line circuit breaker/MCCB
- Base fuel tank
- Two 24V batteries, rac and cable
- Exhaust system(Ripple flex exhaust pipe, exhaust siphon, flange, muffler)
- User manual

## Options

- Battery charge
  - Engine heater
  - Alternator heater
  - PMG
  - Water oil separator
  - Daily fuel tank
  - Remote control panel
  - Automatic transfer switch/ATS
  - Switch box
- Standard: ●                      Options:○

## Warranty\*

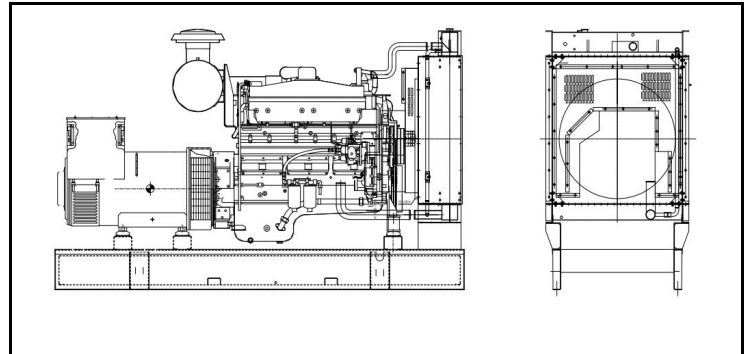
### Cummins Engine

12 months from date of purchase and 1000 hours.

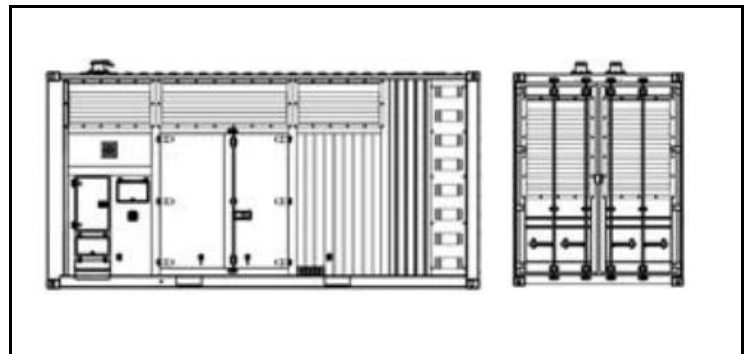
### Generator

12 months from date of purchase or 1000 hours (whichever occurs first).

## Unit Dimensions(Basic unit)



<b>Open Type</b>		
L*W*H	mm	4450*1750*2430
Weight	kg	6950



<b>Silent Type(Standard 20'ft container)</b>		
L*W*H	mm	6058*2438*2591
Weight	kg	11500